

## SSC JE Electrical 2024 (06.06.2024) Shift - 3<sup>rd</sup>

Q1. Deflecting torque of the PMMC instrument is given as

- (a)  $T_d = BINA$
- (b)  $T_d = \frac{BI}{NA}$
- (c)  $T_d = \frac{BN}{IA}$
- (d) None

Q2. Which distribution system is more reliable

- (a) ring main system
- (b) radial system
- (c) tree system
- (d) All of the above

Q3. How induction motor work as a transformer when \_\_\_\_\_

- (a) primary becomes short circuit
- (b) secondary becomes short circuit
- (c) both winding is short circuit
- (d) none of these

Q4. Super position theorem is applicable for

- (a) linear and lateral networks
- (b) linear and bilateral networks
- (c) non linear and lateral networks
- (d) non linear and bilateral networks

Q5. In resistive load reactive power is

Q6. Vertical line = 10, horizontal line = 8, horizontal frequency = 1000 Hz, calculate vertical frequency

- (a) 800
- (b) 80
- (c) 500
- (d) 250

Q7. The definition of demand factor is

- (a) maximum demand / total connected load
- (b) maximum demand + total connected load
- (c) total connected load / maximum demand
- (d) maximum demand - total connected load

Q8. Deputy CM of Maharashtra

- (a) Eknath Shinde
- (b) Ajit Pawar
- (c) Shivraj Singh Chauhan
- (d) Vijay Rupani

Q9. Which Indian territory has highest decadal population growth rate in according to censuses 2011

Q10. Right to freedom is guaranteed in the article

- (a) 18
- (b) 19
- (c) 17
- (d) 15

Q11. Which musical instrument does Hariprasad Chaurasia play?

- (a) Shehnai
- (b) Bansuri
- (c) Sarod
- (d) Tabla

Q12. When was Pandit Vishwakarma Yojana implemented?

Q13. Chemical formula of baking soda is

- (a)  $CaCO_3$
- (b)  $Ca(OH)_2$
- (c)  $Na_2CO_3$
- (d)  $NaHCO_3$

Q14. Article 19(a) is related to

Q15. The chemical name of vitamin B12:

- (a) Folic acid
- (b) Thiamine
- (c) Cyanocobalamine
- (d) Acetic acid

Q16. Rourkela steel plant established in

- (a) 1952
- (b) 1950
- (c) 1955
- (d) 1959

Q17. Who is the head of the Ministry of Jal Shakti?

- (a) Amit Shah
- (b) Gajendra Singh Shekhawat

- (c) Narendar Singh Tomar
- (d) Nitin Jairam Gadkari

Q18. Which of the following is storage device?

- (a) Pen drive only
- (b) Hard disk only
- (c) CD only
- (d) All of the above

Q19. Diversity factor always \_\_\_\_\_

- (a) less than 1
- (b) greater than 1
- (c) equal to 1
- (d) none

Q20. Uses of damper winding in synchronous motor

Q21. A Lissajous patterns are used to measure:

- (a) Voltage and frequency
- (b) frequency and phase shift
- (c) frequency and amplitude distortion
- (d) Amplitude and flux

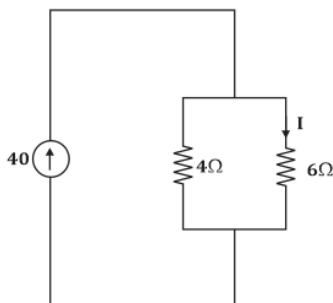
Q22. One question from Pteridophyte

Q23. One question from  $\text{CHCl}_3$

Q24. Active and reactive power formula

Q25. Question from illumination

Q26. Calculate the power of given circuit



Q27. Question from KVL and KCL

Q28. Question from hysteresis motor

Q29. In npn transistor..... junction is thicker and ..... junction is thinnest

Q30. A fixed biased npn transistor  $\beta$  is 50 and  $V_{CC}$  is 10 volt.  $R_C$  is 5 kohm and  $R_B$  is 10 ke power 6 then  $V_{ce}$  is

Q31.  $I_1$  and  $I_2$  is incoming current and  $I_3$  and  $I_4$  is outgoing current then then KCL is

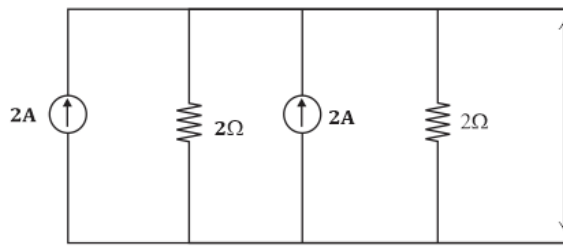
Q32. Question from maximum power transfer theorem

Q33. Temperature coefficient of resistance

Q34. Which science is studied to study gas and liquid?

Q35. Maximum terms of Loksabha

Q36. Find Norton equivalent circuit



Q37. Pramila Malik first female speaker which state

Q38. Full form of NDRF

Q39. In 1 mili amp how many amp

Q40. Where can be the maximum storage?

### Subject wise summery

- Basic Electrical → 25 - 30 Question
- Machine → 30 - 32 Question
- Power System → 12 - 15 Question
- Utilization → 8 - 10 Question
- Estimation and costing → 8 - 10 Question
- Signal system → 1 Question
- Basic Electronics → 8 - 10 Question
- Measurement → 7 - 10 Question