



NFL
(Non Executive)

Previous Year Paper
17 Dec, 2021





NFL Non Executive Examination

Candidate User ID :

Exam Date : 17/12/2021

Batch Id :

Candidate Exam ID :

Test Centre Name :

Exam Timing : 12:30 PM - 2:30 PM

Note: Questions answered are highlighted with selection

- 1 Choose the most appropriate prepositions : May be my grandparents will visit us tomorrow, it completely depends _____ the weather.
- on (Correct Answer)
- in
- at
- to
- 2 In a soldering wire alloy, Tin and Lead are in the ratio 2:3. In the second alloy the Tin and Lead are in the ratio 1:3. In what ratio should these wire alloys be mixed to form a new soldering wire with Tin to Lead ratio of 50:40?
- 5:4
- 2:5
- 2:3
- 1:2 (Correct Answer)
- 3 Eight persons A, B, C, D, E, F, G and H are sitting in a circle facing inside. They are sitting in conditions given below- 1. D is not a neighbor of F and G but he is neighbor of E. 2. E is sitting to the 2nd left of G. 3. A is sitting in front of F. 4. C is not a neighbor of F and B. 5. B is neighbor of F. Where is H sitting?
- to the third left of B
- Between F and C (Correct Answer)
- to the second right of A
- In front of D
- 4 Rohan and Kapil take a project of flyover repairing for Rs. 12Lakh. Rohan can do this work alone in 4 month and Kapil in 6 month. They need to complete this work in 2 month, so they take help of Kushal and completed the project on time. Then how much money Kushal gets for this project?
- ₹1Lakh
- ₹6Lakh
- ₹4Lakh
- ₹2Lakh (Correct Answer)
- 5 The Khaljis of the Khalji Dynasty were
- A Jat tribe from Shindh origin
- Turks from Afghan origin (Correct Answer)
- Mongols from Tujebistan origin
- Afghani from Arab origin
- 6 If $(1011011)_2 = (231)_R$ then what is the value of R?
- 5
- 4
- 7
- 6 (Correct Answer)
- 7 How much profit Mr. Yogendra gained ? Statement 1. Mr. Yogendra sold a book ₹50 more than actual price. Statement 2. Actual price of book is ₹600.

- We can get the answer from statement 1 and statement 2 together.
 Statement 1 is alone sufficient to answer the question but Statement 2 is not. (Correct Answer)
 Both Statement 1 and Statement 2 are not sufficient to answer the question.
 Statement 2 is alone sufficient to answer the question but Statement 1 is not.
- 8 Choose the option that is opposite in meaning to the given word. : Priggish
- unbending
 prim
 coxcombical
 sensible (Correct Answer)
- 9 If a cylindrical wire is stretched such that its height increases by 20% and its radius is decreased by 10%. What is the percentage by which its volume changes?
- Decreases by 3.1%
 Increases by 2.8%
 Decreases by 2.8% (Correct Answer)
 Increases by 3.1%
- 10 According to some stories in the Sanskrit Avadhana, Which king had accepted the Upagupta as the spiritual teacher or Monk?
- Ashoka (Correct Answer)
 Chandragupta
 Vikarmaditya
 Ranasingh
- 11 Choose the missing term from the given options ? B0W,E6U,H24S,K60Q,.....
- M120Q
 M64P
 N1200 (Correct Answer)
 N64P
- 12 Mr. Rawtani borrowed ₹25,000 from a person at 12% simple rate of interest per annum. He invested the borrowed money in a firm at 20% compound rate of interest per annum. How much profit he gained at the end of two year?
- 5000 (Correct Answer)
 11000
 36000
 6000
- 13 Name of the dam which is built on the river Bhagirathi?
- Sunkesula Barrage
 Tehri dam (Correct Answer)
 Ajan Dam
 Badua Dam
- 14 In the following series what should come at blank place? YB,WD,TG,PK,.....
- KO
 KP (Correct Answer)
 LP
 LO
- 15 AS per table shown in this question what was the income of the company A in year 2015?

Year	Company A	
	Expenditure ₹(In Crore)	Profit
2015	50	48%
2016	65	49%
2017	70	50%
2018	75	51%
2019	85	51%
2020	100	52%

- 24 Crore
- 98 Crore (Correct Answer)
- 50 Crore
- 74 Crore

16 In a code word "JURASSIC" is written as "BHRRZQTI". What will be codeword for "ANTHONY"?

- XNOTHAN
- XMNGSMZ (Correct Answer)
- CNOJYGH
- YNOTHAN

17 Choose the option that is opposite in meaning to the given word. : Obumbrate

- illumine (Correct Answer)
- shade
- to turn in
- obscure

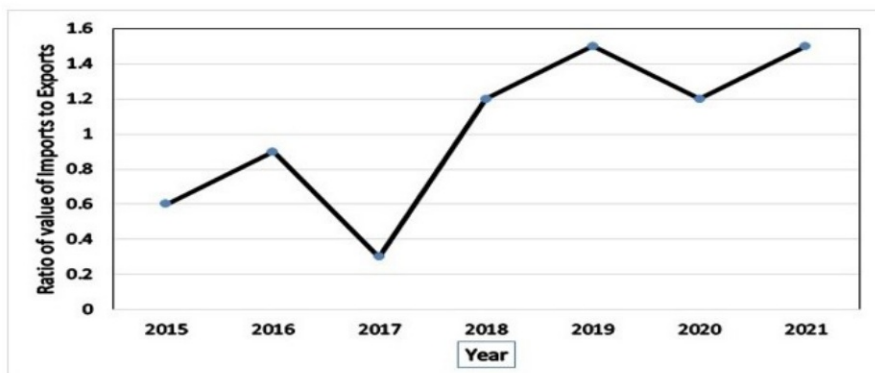
18 A work of same category was given to three groups. The ratio of workman in the group is 7:3:12. What is the ratio of days in which they will complete the work?

- 8:24:5
- 21:10:8
- 12:28:7 (Correct Answer)
- 7:3:12

19 What is the next number of series 2,6,30,60,130,.....?

- 260
- 200
- 210 (Correct Answer)
- 190

20 If the exports in year 2016 and 2020 was ₹600 crore and ₹800 crore respectively, then what was the total of imports in those two years?



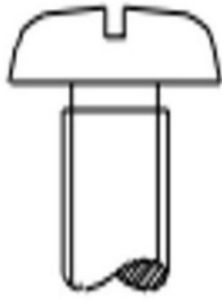
- 1400 Crore

- 560 Crore
 1500 Crore (Correct Answer)
 960 Crore
- 21 Which of the following is the largest and deepest of the world ocean basins?
 Pacific ocean (Correct Answer)
 Indian ocean
 Arctic ocean
 Atlantic ocean
- 22 Choose the option that is similar in meaning to the idiom used in the given sentence: Alice was very angry and rebellious, when she was refused to party but she was not rose to the bait.
 in a desperate position
 ready for the party
 react as intended (Correct Answer)
 woke up early
- 23 Choose the option that is nearest in meaning to the given word: Surfeit
 temperance
 sparse
 nimiety (Correct Answer)
 stint
- 24 An alphanumeric Input is given to a machine as shown in question below. That machines process this Input and gives an arranged Output. INPUT: 97 Happy Dear Lithium 99 47 5 Cow. Step 1: 5 97 Happy Dear 99 47 Cow Lithium Step 2: 5 47 97 Happy 99 Cow Lithium Dear Step 3: 5 47 97 99 Cow Lithium Dear Happy Step 4: 5 47 97 99 Lithium Dear Happy Cow Now same machine was given an INPUT: 5 John 51 Cherry 47 Mango Chair 90. What is the 2nd step for this Input?
 5 47 John 51 Chair Cherry 90 Mango
 5 47 John 51 Cherry Chair 90 Mango
 5 47 51 Cherry Chair 90 Mango John (Correct Answer)
 47 5 51 Cherry Chair 90 John Mango
- 25 Which of the following battle was fought between the countries of Portugal and Britain?
 Boxer safer
 Purtibritor
 Swally Hole (Correct Answer)
 Panipat
- 26 What is the work of The International Monetary Fund (IMF)?
 Publishes the Global Financial Stability Report semi-annually (Correct Answer)
 International financial institution that provides loans and grants to the governments
 Achieving a prosperous, inclusive, resilient, and sustainable Asia and the Pacific
 Mobilize resources for development projects in BRICS, emerging economies
- 27 Who was associated with Fashion Designingfield and they are recently passed away?
 Dilip Kumar
 Raj Kaushal
 Satya Paul (Correct Answer)
 Rinku Singh Nikumbh
- 28 Which of the following was sent as an envoy by the Hellenistic king Seleucus in India?
 Dagrise
 Alecars
 Megasthenes (Correct Answer)

- Antiphonio
- 29 Choose the most appropriate prepositions : I met my friend Yami _____ the cold and snowy day in Kashmir.
- on
 in (Correct Answer)
 at
 with
- 30 The people may sell or lend their property, and other people may buy or borrow them, this is related to
- Socialism
 Mixed economy
 Traditional economy
 Capitalism (Correct Answer)
- 31 Choose the option that is nearest in meaning to the given word : Desinence
- inception
 conclusion (Correct Answer)
 console
 commencement
- 32 A can contains a solution of 20% of sugar by weight and remaining of water. Now this solution is boiled so that 23kg of water evaporates and the solution now contains 30% of sugar in it. What is the original quantity of sugar in it?
- 69kg (Correct Answer)
 23kg
 92kg
 115kg
- 33 Statement: Some Plates are Books. All Books are Masks. Some Masks are Socks. All Socks are Curtains. Conclusion 1. Some Socks are Books. Conclusion 2. Some Curtains are Masks. Conclusion 3. Some Plates are Socks. Conclusion 4. All Plates are Masks.
- Both Conclusion 2 and Conclusion 4 follow
 Only Conclusion 3 follows
 Both Conclusion 1 and Conclusion 2 follow
 Only Conclusion 2 follows (Correct Answer)
- 34 Bahadur points to the image and says : "She is the only sister of only son of my Father". What relation does Bahadur have with this girl?
- Father
 Brother (Correct Answer)
 Uncle
 Husband
- 35 Choose the most appropriate prepositions : Aunt Reema asked Sid to go _____ the room and put the box _____ the drawer.
- to, at
 to, in (Correct Answer)
 into, on
 to, on
- 36 Choose the option that is similar in meaning to the idiom used in the given sentence: The girl who was not the fully shilling is now going to start a business.
- not quick-thinking (Correct Answer)
 a person who is nervous
 begin to practise a new project

- a person with creative
- 37 Who of the following Basketball sports was invented by?
- Walter Camp
 Victoria Skating Rink
 James Naismith (Correct Answer)
 Duke of Beaufort
- 38 In the following question, the symbols %, \$, #, @ are used. All the symbols define the following meanings. 1. A%B : A is less than B. 2. A\$B : A is greater than or equal to B. 3. A#B : A is neither greater nor smaller than B. 4. A@B : A is less than or equal to B. Conclusion 1. P%T. Conclusion 2. T@Q
- Neither Conclusion 1 nor Conclusion 2 follows
 Both Conclusion 1 and Conclusion 2 follow (Correct Answer)
 Only Conclusion 2 follows
 Only Conclusion 1 follows
- 39 Choose the option that is nearest in meaning to the given word: Insurgent
- patriotic
 loyal
 submission
 Rebellious (Correct Answer)
- 40 A squirrel tries to climb a greased thick wire of 12 meters height. In first minute she climbs 2 meters and slips down 1 meter in the alternate minute. If she continues to climb in this manner, How much time does she take to reach at the top of wire?
- 21 minutes 20 Seconds
 22 minutes 20 seconds
 22 minutes
 21 minutes (Correct Answer)
- 41 Awadh Commercial Bank was remembered because?
- Its was corrupted bank
 High rate of percentage given
 The first bank purely managed by Indians (Correct Answer)
 The largest first bank of india
- 42 Mukund purchased a bag of Rice for Rs. 690, he had 20% loss on one fifth of bag, at what profit percentage will he sell the remaining Rice to earn 24% profit on a complete bag?
- 35% (Correct Answer)
 15%
 4%
 44%
- 43 Choose the most appropriate option to fill in the blanks. : His _____ behaviour will no longer lead him to success.
- polite
 guileless
 cynical (Correct Answer)
 ingenuous
- 44 Rohan walks 10Km towards the east, and after that he turns right. After walking 15Km he takes left turn and walks 10Km. Then he walks 30Km towards the North. How far is he directly from starting point?
- 40Km
 35Km
 25Km (Correct Answer)

- 15Km
- 45 A person has 13 Laptops out of which 7 are of i9th generation. In how many ways can he select 7 laptops such that atleast 5 of them are of i9th generation?
- 315
 198
 358 (Correct Answer)
 215
- 46 Which festival is celebrated in state of Assam?
- Durga puja
 Kati Bihu (Correct Answer)
 Hampi
 Nuakhai
- 47 Which article number is related to Six fundamental Rights which mentioned in Indian constitution?
- Article 12 - 38
 Article 13 - 35
 Article 13 - 38
 Article 12 - 35 (Correct Answer)
- 48 Choose the option that is opposite in meaning to the given word. : Limpid
- transparent
 loiter
 repugnance
 opaque (Correct Answer)
- 49 30 students are standing rank wise in a row facing back of other student. Both end of row has either first ranked or last ranked student. Nikita is standing 5th ahead of Poonam and Poonam is standing 8th to backward of Ram. Rank of Ram is first. What is the rank of Nikita?
- 5
 7
 6
 4 (Correct Answer)
- 50 What is the simplification of the expression $(1-\sqrt{3})/(1+\sqrt{3})$
- $(-\sqrt{3})+2$
 $3+\sqrt{3}$
 $2+\sqrt{3}$
 $(\sqrt{3})-2$ (Correct Answer)
- 51 Which type of skill is used in personal and professional life?
- Machinery
 Soft (Correct Answer)
 Hard
 Technical
- 52 Identify the Machine screws type that shown in figure?



- ROUND
- TRUSS
- OVAL
- PAN (Correct Answer)

- 53 Which information is not important for ensuring the after repairing of machines?
- it has not been distorted in transit
 - It has been properly coloured (Correct Answer)
 - It has been properly fixed in position
 - It will yield an accurate product
- 54 Which test is to ascertain the precision of a machine tool for the finishing operation for which the machine has been designed?
- Depreciation test
 - Performance test (Correct Answer)
 - Geometrical test
 - Levelling test
- 55 What is the correct use of Zinc?
- Preparation of paints
 - Coated the Galvanized iron sheets (Correct Answer)
 - Preparation of solders
 - Insulator against nuclear radiation
- 56 Which is the correct sequence followed of installation of machinery? 1. Foundations 2. Testing 3. Fitting and moving 4. Levelling
- 2>1>4>3
 - 2>3>1>4
 - 1>3>4>2 (Correct Answer)
 - 1>2>3>4
- 57 The ferrous metal is ____
- Aluminium
 - Lead
 - Copper
 - Steel (Correct Answer)
- 58 Which is the distance from the point of one tooth to the corresponding point of the adjacent tooth measured on pitch circle?
- Circular pitch (Correct Answer)
 - Root circle
 - Pitch circle diameter
 - Addendum circle
- 59 Which type of fuel is related to class C type of fire?

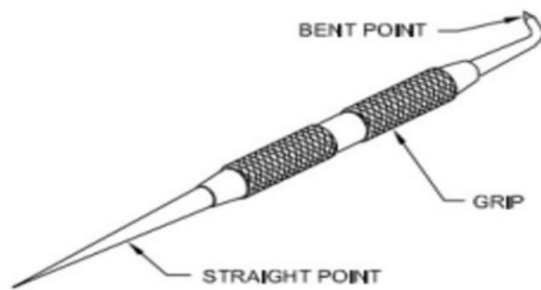
- Involving metals
- Gas and liquefied gas (Correct Answer)
- Flammable liquid
- Wood, paper, cloth
- 60 Which type of work does not provided by lubricants?
- Decreasing the friction
- Cooling the moving elements
- Prevents corrosion
- Increasing adhesion (Correct Answer)
- 61 Which work can be done by only fixtures?
- Countersinking
- Drilling and counter boring,
- Guide the cutting tool
- Fixed to the machine table (Correct Answer)
- 62 Which is not a section of test charts when making testing of machine?
- Levelling
- Performance test
- Depreciation test (Correct Answer)
- Geometrical test
- 63 Which part not be checked, If Gas leakage problem occurs when torch cutting?
- Hose joint
- Regulator
- Injector (Correct Answer)
- Cutting tip atta-ching part
- 64 Which is not an application of Grid Coupling?
- Electric Motors
- Gear Boxes
- Lift machine (Correct Answer)
- Conveyors
- 65 PASS is use for the fire extinguisher, what is the meaning of S which is third position on PASS?
- Stop
- Sweep
- Split
- Squeeze (Correct Answer)
- 66 Which is not a perfect guideline for tool storage?
- Store tools in a well-ventilated area
- Store tools in an area protected from the elements
- Store tools in a well-moisturise area (Correct Answer)
- Store tools in a clean and organized space
- 67 Which type of work does not done by try square?
- check the square-ness
- check the flatness
- set workpieces at right angles
- cut on its surface (Correct Answer)
- 68 Which is used for examining the process indetail to identify areas of possible improvements?

- Bill of materials
- Process chart
- Job cards format
- Productivity reports (Correct Answer)

69 Which signs represents the infection when diagnose an unconscious injured person?

- Under dosed
- Red streaks around a wound. (Correct Answer)
- Smell of alcohol
- Saliva around the mouth

70 Identify the equipment given in diagram?



- Pointer
- Dividers
- Datum
- Plain scriber (Correct Answer)

71 What is indicating the 10 Litre/ Minute ?

- Absolute Pressure
- Gauge Pressure
- Pressure
- Flow rate (Correct Answer)

72 Infection is considered _____ hazards.

- Biological (Correct Answer)
- Physiological
- Chemical
- Psychological

73 In which condition of wrapping angle, that the pulley can be transmit high torque?

- Lower wrapping angle
- Bigger wrapping angel (Correct Answer)
- No effect is produce
- Medium wrapping angle

74 What is the length of open belting if the centre distance between the pulleys is 10m and the diameter of larger pulley and smaller pulley is 0.5m and 0.25m?

- 20 m
- 22.18m
- 21.18m (Correct Answer)
- 11.18m

75 Names of the part of a cutting torch which function to mix the acetylene gas with oxygen?

- Injector (Correct Answer)
- Acetylene gas valve
- Oxygen hose joint

Oxygen conduit

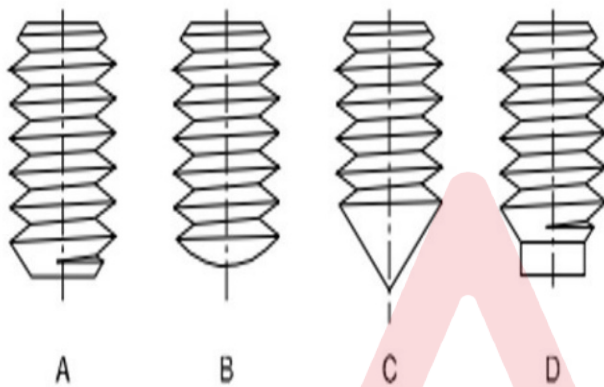
76 Which precautions is not necessary when use of screwdrivers?

- Use screwdrivers with tips correctly fitting into the screw slot
- While using a Philips screwdriver apply more downward pressure
- Hold the screwdriver with its axis in right angle with the axis of the screw (Correct Answer)
- Make sure your hand and the handle are dry.

77 Pedestrian crossing sign is considering in which category?

- Cautionary (Correct Answer)
- Informatory
- Mandatory
- Special

78 Which is represented the half dog point set screws?

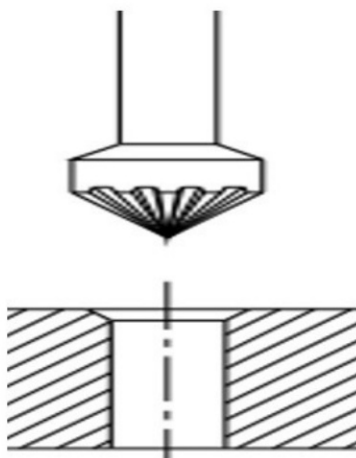


- C
- A
- B
- D (Correct Answer)

79 Which pulley have function of the pulley keyed to the shaft is to convey rotation from the driving to the driven pulley by means of a belt?

- 'V' groove pulley
- Tight of pulley
- Crowned face of pulley
- Loose pulley (Correct Answer)

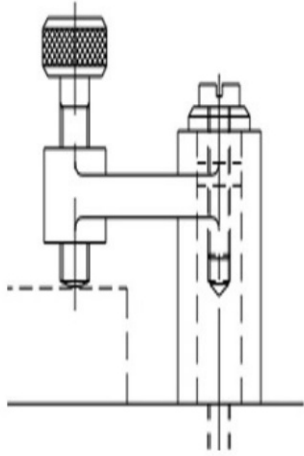
80 The above figures which type of operation perform by Drilling jigs?



- Ream

- Drill
 Chamfer (Correct Answer)
 Counter sink
- 81 Which type of machine is known as radial arm cutting machine?
- Pipe cutting machines
 Straight line cutting machines
 Profile cutting machines (Correct Answer)
 circle cutting machines
- 82 The cheek of a hammer is ____
- Handle in the eyehole
 Middle portion of the hammerhead (Correct Answer)
 Tightness part of hammer ends
 bending
- 83 What is the Velocity ratio of worm gear if Number of teeth on the worm wheel is 56 and Number of starts on the worm 7?
- 8 (Correct Answer)
 4
 392
 0.26
- 84 Which is not a Jenny caliper?
- Leg and point calipers
 Odd leg caliper
 Hermaphrodite calipers
 Plain caliper (Correct Answer)
- 85 Which is not a Purpose of gears?
- To get a positive drive
 To change the velocity ratio
 To change the input power of machine (Correct Answer)
 To change the direction of rotation
- 86 Levelling of a machine is provide ____
- levelling can be achieved by the use of laminated shims. (Correct Answer)
 It must support the machines at a given height and must be able to take up the static and dynamic loads
 It should absorb the vibration of the moving parts
 It should preserve the alignment of the machine
- 87 What type of first aid given, If you see a person fainting?
- Try to be a calming
 A pillow under the head
 Call EMERGENCY number
 Sweet to eat or drink (Correct Answer)
- 88 Which is not an example of common pipes type?
- Brass pipes
 Crass pipes (Correct Answer)
 C.I. soil pipes
 Galvanized iron pipes
- 89 Which of the following is not including in workshop safety categories?

- Personal safety
 General safety
 financial safety (Correct Answer)
 Machine safety
- 90 A device used to connect pipes known as_____.
- The hexagonal nut
 Reducer concentric
 Tee
 Unions (Correct Answer)
- 91 Which system transmits motion at right angles to the axis of motion at different planes?
- Worm gear
 Bevel gear (Correct Answer)
 Hypoid gears
 Rack and pinion
- 92 Which is a part of hacksaw blade?
- Handle
 Centre line (Correct Answer)
 Frame
 Retaining pins
- 93 Antifriction bearings should be handled in_____ environment.
- Dust free (Correct Answer)
 Oil free
 Moisture free
 Leakage free
- 94 Which is used for turned components requiring to strength and corrosion resistance, such as valve spindles?
- Cast phosphors bronze
 Drawn phosphors bronze (Correct Answer)
 Admiralty gun-metal
 Low tin bronze
- 95 Which type of colour code is used for metal in Waste compaction?
- Yellow
 Blue
 Red (Correct Answer)
 Green
- 96 Which is not a rainwater harvesting method?
- Soakpit
 Percolation trenches
 Service well cum reckage well method
 Direct pipe well method (Correct Answer)
- 97 Which type of clamp is shown in above figure?



- Latch clamp
- Toggle clamp
- Screw clamp (Correct Answer)
- Strap clamp

98 Which type of Remedy recommended when belt slips?

- Provide belt guards
- Align the pulleys
- Introduce a fly wheel in the drive system
- Reduce the load (Correct Answer)

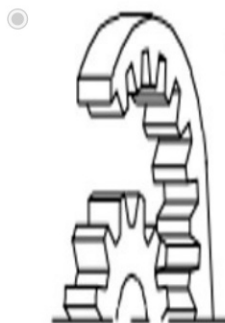
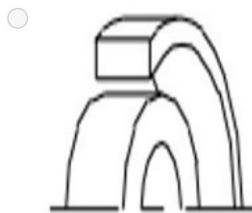
99 The stress on a rounded back can be about ____ than if the spine is kept straight.

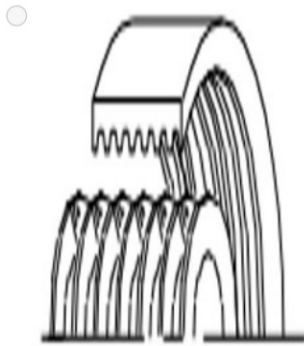
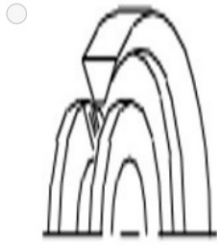
- Six times greater (Correct Answer)
- Four times greater
- Five times greater
- Three times greater

100 Base circle diameter is denoted by ____.

- d_f
- h_f
- d_b (Correct Answer)
- h_a

101 Which is shown the Ribbed belt for transmission of power?





(Correct Answer)

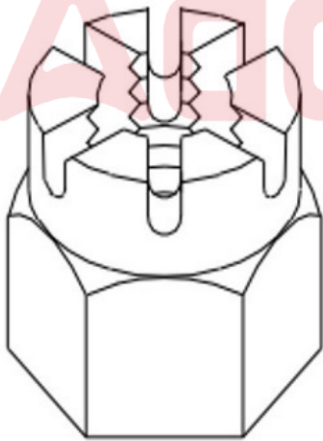
102 Which type of trouble is produce when centre distance between the pulleys is more?

- Belt squeals.
- Belt whips excessively (Correct Answer)
- Frequent belt spoilage
- Belt Slips

103 In which year the Ozone depleting substances regulation occurs?

- 1982
- 2000
- 1989 (Correct Answer)
- 1986

104 Identify the name of above nut type?

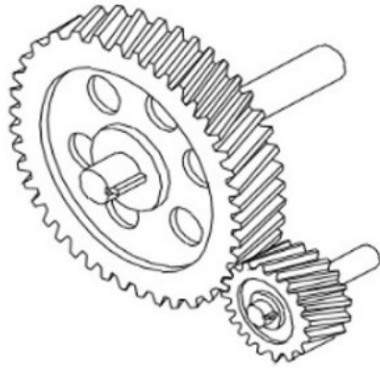


- Wiles nut
- Sawn nut
- Slotted nut
- Castle nut (Correct Answer)

105 Which maintenance method is oldest maintenance approach?

- Scheduled maintenance
- Predictive maintenance
- Reactive maintenance (Correct Answer)

- Proactive maintenance
- 106 Which welding process is fastest to all other process?
- GTAW
 SMTW
 GMAW (Correct Answer)
 SMAW
- 107 Which method of waste disposal is most sustainable?
- Compost
 Reuse
 Recycle (Correct Answer)
 Energy recovery
- 108 Which is correct for breakdown maintenance?
- Predictable activity
 Undertaken only after breakdown (Correct Answer)
 Undertaken only before breakdown
 Cost of maintenance is high
- 109 Which type fasteners is used in joining belting for industrial purposes?
- Lagrelle
 Wire type
 Lagrteral
 Alligator (Correct Answer)
- 110 Which type of test can be done for carried out to know the grade of accuracy the assembled machine while idle?
- Levelling test
 Performance test
 Geometrical test (Correct Answer)
 Standard test
- 111 Which type of copper alloy is used the least quantity of copper in alloys composition?
- Muntz metal (Correct Answer)
 Standard brass
 Basic brass
 Cartridge brass
- 112 Respiratory protection is protected to _____
- Falling objects
 Electric shock
 Working wet area
 Fumes (Correct Answer)
- 113 Identify the gear type shown in above figure?



- Mitre
- Spur
- Bevel
- Helical (Correct Answer)

114 Which is produced from Cassiterite?

- Zinc
- Lead
- Aluminium
- Tin (Correct Answer)

115 What process is the workpieces are initially prepared by acid pickling or grit-blasting. They are then placed in a rotating steel barrel containing zinc powder, and heated to a temperature around 370oC.

- Cladding
- Chromizing
- Sherardizing (Correct Answer)
- Calorizing

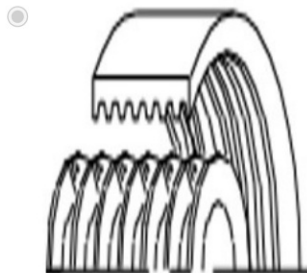
116 The ratio of the tight side of belt to the slack side of belt tension is Commonly known as_____

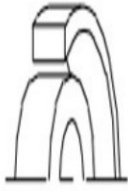
- Tension ratio (Correct Answer)
- Belt ratio
- Force ratio
- Tight ratio

117 Which cycle does not related to PDCA cycle model?

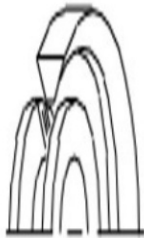
- STEWHART CYCLE
- DEMING CYCLE
- PROTECTIVE CYCLE (Correct Answer)
- CONTROL CYCLE

118 Identify the timing belt?





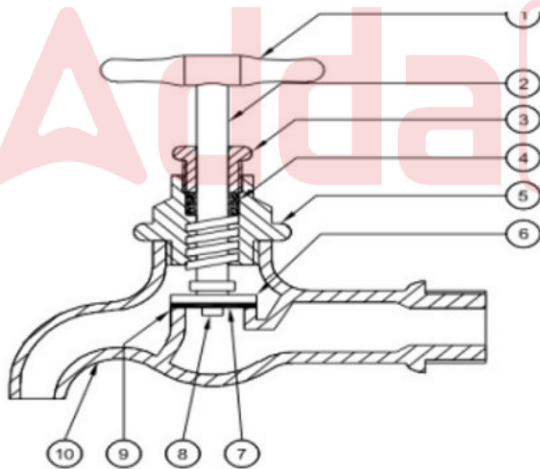
(Correct Answer)



119 Which is not a type of rigid couplings?

- Grid coupling (Correct Answer)
- Muff couplings
- Unprotected type flanged coupling
- forged flanged coupling

120 What is the part name which is indicating with 6 numbers in above figure?



- Metal disk-holder/ valve disk (Correct Answer)
- Stuffing box/ packing
- Body of the tap
- Washer (rubber/ leather/ fibre)

121 The melting temperature of copper is_____

- 1820°C
- 880°C
- 1085°C (Correct Answer)
- 1201 °C

- 122 Which of the following activity to be performed for do not overload platform, floor and keep material at safe height?
- Disposal of Scrap
 - Cleaning of shop floor
 - Piling Methods (Correct Answer)
 - Material handling
- 123 Which is related to muff couplings?
- Grid coupling
 - Fluid coupling
 - Spider coupling
 - Rigid coupling (Correct Answer)
- 124 Which type of fasteners is generally used on light duty machines?
- Wire type belt fastener (Correct Answer)
 - Crescent plate belt fastener
 - Jackson-type belt fastener
 - Lagrell type belt fastener
- 125 Which types of alloy are used to making jewellery?
- Free cutting brass
 - Gilding metal (Correct Answer)
 - Admiralty brass
 - Naval brass
- 126 Which is used to distribute the clamping pressure over a larger area, and prevent the surface damaged?
- Screws
 - Stud bolts
 - Nuts
 - Washers (Correct Answer)
- 127 What is the advantage of using aluminium alloy over steel?
- Low elongation values
 - Can be anodized (Correct Answer)
 - Lower modulus of elasticity, therefore, increased deformation
 - Fatigues
- 128 Which type of testing is related to non-Destructive Testing?
- Crash testing
 - Radiography (Correct Answer)
 - Stress testing
 - Metallographic Testing
- 129 What is the Yield stress ratio of class 5.8 screw?
- 320 N/mm²
 - 520 N/mm²
 - 420 N/mm² (Correct Answer)
 - 220 N/mm²
- 130 Which is not a correct property of a right electrode?

- Maximum weld strength
- Smooth weld bead
- Fast deposition
- Maximum spatters (Correct Answer)

131 Which type of maintenance is undertaken only before to stop breakdown?

- Preventive (Correct Answer)
- corrective
- breakdown
- Periodic

132 Formula for velocity ratio of gear train is____

- $N_1 N_2 = T_1 T_2$
- $N_1 T_1 = N_2 T_2$ (Correct Answer)
- $N_2 T_1 = N_1 T_2$
- $N_1 T_2 = N_2 T_1$

133 What is denoted the fourth digits in AWS codification of carbon steel and low-alloy steel coated electrodes?

- Flat & down hand positions for electrodes.
- Tensile strength of the deposited weld metal
- Type of flux coating. (Correct Answer)
- Flat & horizontal positions for electrodes.

134 System failure does not happen by____?

- Brain bug
- Assassin bug
- Lightening bug (Correct Answer)
- Invades bug

135 Which is provided with tendons at its bottom for proper location of the fixture with the machine table through Tee slots for a milling fixture?

- Standard clamps and locators
- Balancing weight
- The setting blocks
- Base plate (Correct Answer)

136 What is the length of open belting, if diameter of large and smaller pulley is 8 and 2 respectively, and centre distance between the pulleys is 26m?

- 26.45m
- 8.96m
- 67.71m (Correct Answer)
- 15.8m

137 Which type of bushes are used when more than one operation is performed in the same location.

- Fixed renewable bushes
- Liner bushes
- Slip renewable bushes (Correct Answer)
- Press fit bushes

138 what is represent the symbol of documentation as per industrial needs?



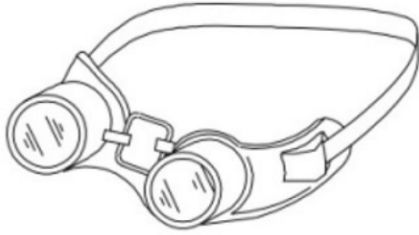
- Inspection (Correct Answer)
 Transport
 Operation
 Delay
- 139 Which type of used wrench for pipes with diameters of 50 mm to 150 mm?
- Chain pipe vice
 Chain pipe wrenches (Correct Answer)
 Multi-wheel chain pipe wrenches
 Portable folding pipe wrenches
- 140 What is the thickness, If $D=40$ is the dia. of the shaft, width of the key $W= 1/4D+2$ mm. and Nominal thickness $T = 2/3 w$.
- 8mm (Correct Answer)
 18mm
 26mm
 12mm
- 141 Which type of belt is used when the distance between the shafts is too short?
- Ribbed belt
 Link belt
 V belt (Correct Answer)
 Timing belt
- 142 Which is the simplest form of fixtures?
- Indexing
 Vice jaw
 Plate (Correct Answer)
 Tool guiding
- 143 Which is related to the sleeve which couples the two shafts comprises two halves bolted together?
- Flexible Coupling
 Chain Coupling
 Gear coupling (Correct Answer)
 Bushed Pin type Coupling
- 144 Which is used for the safe removal of keys from the shaft of any type of machine, motor, compressor etc.?
- Sunk key
 Key puller (Correct Answer)
 Peg feather key
 Splines key
- 145 Which type of material is good insulator against nuclear radiation?
- Steel
 Zinc
 Lead (Correct Answer)
 Aluminium
- 146 Designation of V-belt as per IS:
- 2494 (Correct Answer)
 1145
 1989
 1620
- 147 What is the capability of pneumatic torque wrenches range up to a maximum of _____.

- 47,600Nm (Correct Answer)
- 40,800Nm
- 28,200Nm
- 36,500Nm

148 What is the tension ration of a belt?

- The ratio of the slack side to the tight side tension
- The ratio of the Pulley side to the tight side tension
- The ratio of the tight side to the slack side tension (Correct Answer)
- The ratio of the loos side to the tight side tension

149 Identify the protection providing by above equipment given in figure?



- High noise level
- Electric shock
- Hot spatter
- IR rays heat (Correct Answer)

150 Lead is produced from its ore_____.

- REMLAP
- PAEAN
- LAMENT
- GALENA (Correct Answer)

