

**WBP Jail Warder PYP 2019**

**Q1.** The Commonwealth Games, 2022 will be held in

- (a) New Zealand
- (b) South Africa
- (c) Australia
- (d) England

**Q2.** Which pair of numbers comes next?

- 6, 10, 14, 18, 22, 26, 30
- (a) 34, 36
  - (b) 34, 38
  - (c) 36, 40
  - (d) 38, 42

**Q3.** The term 'Pentium' is related to which of the following?

- (a) Microprocessor
- (b) Hard disks
- (c) DVD
- (d) Mouse

**Q4.** Find the correctly spelt word :

- (a) Juriesdiction
- (b) Juresdiction
- (c) Jurisdiction
- (d) Jurisdection

**Q5.** Find the correctly spelt word :

- (a) Accident
- (b) Aceident
- (c) Acident
- (d) Accedent

**Q6.** 'Gita Govinda' is a famous creation of

- (a) Jayadev
- (b) Kalidas
- (c) Baṇa Bhaṭṭa
- (d) Bhababhuti

**Q7.** Average of 16 numbers is 8. If 2 is added to every number, the new average will be-

- (a) 14
- (b) 11
- (c) 12
- (d) 10

**Q8.** "Microsoft word" is an example of

- (a) Input device
- (b) Application software
- (c) Operating system
- (d) Processing device

**Q9.** The train had left before I\_\_ the station.

- (a) reaches
- (b) reach
- (c) reached
- (d) was reaching

Choose the correct prefix:

**Q10.** Grateful

- (a) dis
- (b) un
- (c) in
- (d) en

**Q11.** Whose motto is "Touching the Sky with Glory"?

- (a) Indian Navy
- (b) ISRO
- (c) Air India
- (d) IAF

**Q12.** Which of the following numbers is the largest?

- (a)  $\frac{1}{5}$  of 30
- (b)  $\frac{2}{5}$  of 200
- (c) 50% of 50
- (d) 0.2 portion of 20

**Q13.** A is B's sister. C is B's mother. D is C's father. E is D's mother. Then how is A related to D?

- (a) Mother-in-law
- (b) Grand mother
- (c) Grand daughter
- (d) Daughter

**Q14.** Find the correctly spelt word:

- (a) Aggrissive
- (b) Aggressive
- (c) Aggesive
- (d) Agresssive

Select the appropriate meaning of the following Idioms & Phrases :

**Q15.** In hot water

- (a) Medically useful water
- (b) Water in turbulence
- (c) Trouble with someone
- (d) Water getting hot suddenly

**Q16.** The Chairperson of the lok Sabha is designated as the

- (a) Prime Minister
- (b) President
- (c) Speaker
- (d) Vice - President

**Q17.** The HCF of 1365, 1560 and 1755 is

- (a) 159
- (b) 591
- (c) 195
- (d) 157

**Q18.** The maximum 'zoom percentage' of Microsoft Power Point is -

- (a) 400%
- (b) 150%
- (c) 100%
- (d) 600 %

**Q19.** When the Principal entered the class, a student \_\_\_\_ on the blackboard.

- (a) is writing
- (b) was writing
- (c) wrote
- (d) writes

Fill up the blank :

**Q20.** Columbus \_\_\_\_ America.

- (a) had discovered
- (b) discovered
- (c) discovers
- (d) has discovered

**Q21.** Which of the two planets listed below are nearer to the Sun than the Earth?

- (a) Venus and Mercury
- (b) Neptune and Venus
- (c) Jupiter and Mercury
- (d) Mars and Saturn

**Q22.** A certain sum of money trebles itself in 5 years simple interest. Find the rate of interest per annum.

- (a) 50%
- (b) 10%
- (c) 20%
- (d) 40%

**Q23.** Who developed 'COBOL'?

- (a) Grame Smith Lawrence
- (b) Vin Merchant
- (c) Grace Murry Hopper
- (d) Douglas Martin

Fill up the bank with the correct word :

**Q24.** The salt spray has gradually \_\_\_ the bridge.

- (a) corroded
- (b) ravaged
- (c) spoilt
- (d) demolished

**Q25.** Find the correctly spelt word:

- (a) Guarunte
- (b) Guaraante
- (c) Guarante
- (d) Guarantee

**Q26.** Which of the following was a leap year?

- (a) 1998
- (b) 2002
- (c) 2004
- (d) 2014

**Q27.** 0.4% of 36 equals to

- (a) 14.33
- (b) 0.144
- (c) 1.44
- (d) 14.4

**Q28.** What will come in place of 'X'?

Moon : Satellite :: Earth : X

- (a) Meteor
- (b) Solar system
- (c) Sun
- (d) Planet

**Q29.** Choose the correct prefix

Danger

- (a) en
- (b) ous
- (c) er
- (d) ed

**Q30.** Fill up the blank:

We hope that papa \_\_\_ soon.

- (a) will come
- (b) is coming
- (c) come
- (d) will be coming

**Q31.** Where is the Tungabhadra Sanctuary located?

- (a) Karnataka
- (b) Goa
- (c) West Bengal
- (d) Mizoram

**Q32.** What is 6 more than  $\frac{1}{3}$  of 25?

- (a) 18.33
- (b) 15.33
- (c) 8.33
- (d) 14.33

**Q33.** Who invented 'Java'?

- (a) Jermaine Larson
- (b) John Reid
- (c) James Long
- (d) James A Gosling

**Q34.** Select the appropriate meaning of the following Idioms and Phrases :

To bell the cat

- (a) To face the risk
- (b) Conflict
- (c) Facing enemy
- (d) Make friendship

**Q35.** Choose the correct prefix

Monthly

- (a) over
- (b) bye
- (c) bi
- (d) anti

**Q36.** The study of insects is known as

- (a) Ecology
- (b) Etymology
- (c) Anthology
- (d) Entomology

**Q37.** Which is the greatest number that will divide 259 and 847 leaving the remainder 7 in each case?

- (a) 47
- (b) 168
- (c) 84
- (d) 21

**Q38.** If in a certain language, MADRAS is coded as NBESBT, BOMBAY is coded in that code as

- (a) CQOCBZ
- (b) CPNCBZ
- (c) CPNCBX
- (d) CPOCBZ

**Q39.** Select the appropriate meaning of the following Idioms and Phrases :

Bolt from the blue

- (a) No idea
- (b) A complete surprise
- (c) Thundering
- (d) Informing something bad

**Q40.** Fill up the blank with the correct word(s):

Because of the bitter experience of the past, he \_\_\_ everywhere.

- (a) suspects foul
- (b) smells a rat
- (c) disbelieve
- (d) sees a danger

**Q41.** The father of indian space programme is

- (a) Mohan Pandey
- (b) Ashutosh Verma
- (c) Rakesh Sharma
- (d) Vikram Sarabhai

**Q42.** The time of a clock as seen in a mirror is 3 : 15. Then the correct time is

- (a) 9 : 15
- (b) 9 : 45
- (c) 8 : 45
- (d) 8 : 15

**Q43.** Choose the right answer:

6 : 18 :: 4 : ?

- (a) 12.2
- (b) 12
- (c) 8
- (d) 16

**Q44.** Choose the correct prefix:

Advantage

- (a) ub
- (b) re
- (c) de
- (d) dis

**Q45.** Fill up the blank with correct word:

I can not \_ to know much about it.

- (a) contemplate
- (b) pretend
- (c) imagine
- (d) conceive

**Q46.** The surface temperature of the Sun is

- (a) 9000 °C
- (b) 4000 °C
- (c) 3000 °C
- (d) 6000 °C

**Q47.** A boy has 5 red balls, 3 white balls and 2 yellow balls. What per cent of balls are yellow?

- (a) 12%
- (b) 20%
- (c) 15%
- (d) 40%

**Q48.** Which day is celebrated as 'Computer Literacy Day'?

- (a) December, 2nd
- (b) June, 13th
- (c) December, 17th
- (d) April, 16th

**Q49.** Choose the correct prefix

Human

- (a) non
- (b) in
- (c) de
- (d) un

**Q50.** Select the appropriate meaning of the following Idioms and Phrases :

Raining cats and dogs

- (a) Fighting between animals
- (b) Raining blows on pets
- (c) Raining heavily
- (d) Fighting between two groups

**Q51.** Instrument to measure heat is

- (a) Thermometer
- (b) Calorimeter
- (c) Barometer
- (d) Lactometer

**Q52.** Age ratio of ages of A and B is 3 : 5. If B is 8 years elder to A, then what is A's age?

- (a) 20 years
- (b) 15 years
- (c) 12 years
- (d) 10 years

**Q53.** Fill in the series:

V, VIII, XI, XIV, \_\_, XX

- (a) XVII
- (b) XXIII
- (c) IX
- (d) XV

**Q54.** Fill up the blank with the correct word:

My father keeps all his \_\_ papers under lock & key.

- (a) confidential
- (b) necessary
- (c) required
- (d) useful

**Q55.** Fill up the blank with the correct word:

The shepherd was looking after the \_\_ of sheep.

- (a) fleet
- (b) gang
- (c) crew
- (d) flock



**Q56.** Which of the following is the heaviest metal?

- (a) Lead
- (b) Osmium
- (c) Gold
- (d) Mercury

**Q57.** Express  $\frac{18}{6}$  as a percentage.

- (a) 3%
- (b) 30%
- (c) 300%
- (d) 150%

**Q58.** Time period of "First Generation Computer" is :

- (a) 1946 - 1959
- (b) 1955 - 1965
- (c) 1940 - 1950
- (d) 1945 - 1979

**Q59.** Select the appropriate meaning of the following Idioms and Phrases:

Blue Blood

- (a) Member of reptile family
- (b) Blood colour changed to Blue
- (c) Belonging of the working class society
- (d) Member of aristocratic or Nobel family

**Q60.** The first Indian Women Airline Pilot is

- (a) Neha Sharma
- (b) Babita Savarkar
- (c) Hema Devi
- (d) Durga Banerjee

**Q61.** Find the value of  $\sqrt[3]{216}$ .

- (a) 6
- (b) 3.6
- (c) 36
- (d) 12

**Q62.** Which is a forerunner of the Internet?

- (a) INTRANET
- (b) WIDE AREA NETWORK
- (c) ARPANET
- (d) LOCAL AREA NETWORK

**Q63.** Fill up the blank:

He saw me by chance and \_\_\_ the car.

- (a) was stopping
- (b) stops
- (c) stop
- (d) stopped

**Q64.** Find the correctly spelt word:

- (a) Annalytical
- (b) Anelytical
- (c) Analytical
- (d) Analitical

**Q65.** The spacecraft of 'Chandrayaan 2' was launched from

- (a) Thumba Equatorial Rocket Launching Station
- (b) Satish Dhawan Space Centre
- (c) Vikram Sarabhai Space Centre
- (d) U. R. Rao Space Centre

**Q66.** Which number should come next?

2, 1,  $\frac{1}{2}$ ,  $\frac{1}{4}$ , \_\_\_\_\_

- (a)  $\frac{1}{8}$
- (b)  $\frac{1}{9}$
- (c)  $\frac{1}{3}$
- (d)  $\frac{2}{8}$

**Q67.** Full form of "SQL" is:

- (a) Student Query Line
- (b) Structured Question List
- (c) Structured Query Language
- (d) Straight Query Language

**Q68.** Who was the first President of India who died while in office?

- (a) V. V. Giri
- (b) Rajendra Prasad
- (c) Zakir Hussain
- (d) Jawahar Lal Nehru

**Q69.** Find the value of

$120 \div (6 + 12 \times 2)$

- (a) 4
- (b) 40
- (c) 20
- (d) 6

**Q70.** World's first Microprocessor is -

- (a) Intel 4009
- (b) Intel 4004
- (c) Intel 4002
- (d) Intel 4001

**Q71.** Eden Garden, the famous Cricket Stadium is situated in-

- (a) West Indies
- (b) England
- (c) India
- (d) Australia

**Q72.** Find the value of  $3.5 \times (60 \div 2.5)$

- (a) 84
- (b) 10
- (c) 8.4
- (d) 0.01

**Q73.** River Krishna originates from

- (a) Deccan Plateau
- (b) Chotanagpur Plateau
- (c) Eastern Ghats
- (d) Western Ghats

**Q74.** Which is odd one?

- (a) Potato
- (b) Wheat
- (c) Rice
- (d) Maize

**Q75.** The "Leaning Tower of Pisa" is located in-

- (a) Japan
- (b) Iran
- (c) Italy
- (d) Iraq

**Q76.** Which of the following number is exactly divisible by 9?

- (a) 416138
- (b) 456138
- (c) 444138
- (d) 447148



**Q77.** The first bank to introduce ATM in India is

- (a) Axis Bank
- (b) Bank of India
- (c) SBI
- (d) HSBC

**Q78.** A shopkeeper offers a discount of 10% on his articles. The marked price of the articles is Rs. 450. What should be its selling price?

- (a) Rs. 495
- (b) Rs.400
- (c) Rs. 405
- (d) Rs. 395

**Q79.** Which city is known as 'City of Festivals'?

- (a) Nagpur
- (b) Varanasi
- (c) Madurai
- (d) Jaipur

**Q80.** Fill up the series:

F2, \_\_, D8, C16, B32

- (a) E3
- (b) G4
- (c) A6
- (d) E4

**Q81.** Which of the following pairs is incorrect?

- (a) Isobars - Pressure
- (b) Isochronal – Time
- (c) Isohyet – Humidity
- (d) Isotherms – Temperature

**Q82.** Find the value of :

$$\frac{x^{-5}}{x^{-3}} \times \frac{x^5}{x^3}$$

- (a)  $x^{-1}$
- (b) 0
- (c) -1
- (d) 1

**Q83.** A stretch of sea water, partly or fully separated by a narrow strip from the main sea, is called

- (a) Isthumus
- (b) Strait
- (c) Lagoon
- (d) Bay

**Q84.** 0.123 divided by  $10^3$  equals to

- (a) 0.000123
- (b) 0.0123
- (c) 123
- (d) 0.01023

**Q85.** The country having the lowest population in the world

- (a) Vietnam
- (b) Canada
- (c) Peru
- (d) Vatican City

**Q86.** In a square field the diagonal is 30 meter. Find the area of the square field.

- (a)  $84 \text{ m}^2$
- (b)  $500 \text{ m}^2$
- (c)  $90 \text{ m}^2$
- (d)  $450 \text{ m}^2$

**Q87.** In whose memory is 5<sup>th</sup> September celebrated as Teacher's Day?

- (a) Sarvepalli Radhakrishnan
- (b) Mahatma Gandhi
- (c) Rajendra Prasad
- (d) Sardar Vallabh Patel

**Q88.**  $\frac{1}{5}$  of what number is 5 times of 10?

- (a) 100
- (b) 200
- (c) 405
- (d) 250

**Q89.** Who was called as the "Shakespeare of India"?

- (a) Surdas
- (b) Tulsidas
- (c) Kalidasa
- (d) Veda Vyasa

**Q90.** Amit was born 5 years before Rakesh. Rakesh is 3 years younger to Anil. If Amit is now 17 years old, how old is Anil?

- (a) 19 years
- (b) 12 years
- (c) 8 years
- (d) 15 years

## Solution

### S1.Ans.(d)

**Sol.** The 2022 Commonwealth Games were held in Birmingham, England. This is the third Commonwealth Games to be held in England. 72 countries participated in these games.

### S2.Ans.(b)

**Sol.** 6, 10, 14, 18, 22, 26, 30, \_\_, \_\_

$$6 + 4 = 10$$

$$10 + 4 = 14$$

$$14 + 4 = 18$$

$$18 + 4 = 22$$

$$22 + 4 = 26$$

$$26 + 4 = 30$$

$$30 + 4 = \mathbf{34}$$

$$34 + 4 = \mathbf{38}$$

### S3.Ans.(a)

**Sol.** 'Pentium' is associated with the microprocessor. The Pentium model has two processors on a chip containing 3.1 million transistors. The Pentium was first released on March 22, 1993.

### S4.Ans.(c)

**Sol.** The correctly spelt word is **Jurisdiction**. Jurisdiction means 'the official power to make legal decisions and judgements'.

### S5.Ans.(a)

**Sol.** The correctly spelt word is **Accident**. Accident means 'an unfortunate incident that happens unexpectedly and unintentionally, typically resulting in damage or injury'.

### S6.Ans.(a)

**Sol.** The Gita Govinda is a work composed by the 12th-century Hindu poet, Jayadev. He is one of the most famous poets of medieval Sanskrit literature. He is the author of Gita Govinda Kavya. Gita Govinda Kavya is written in Sanskrit language.

### S7.Ans.(d)

**Sol.** Average of 16 numbers = 8

$$\text{Sum of 16 numbers} = 16 \times 8 = 128$$

After adding 2 to each number,

$$\text{New Sum} = 128 + (16 \times 2) = 160$$

$$\text{New average} = \frac{160}{16} = 10$$

### S8.Ans.(b)

**Sol.** Microsoft Word or MS Word is an application software. Through which any type of work, such as typing, project, drawing, minor design work, profile creation, question paper typing, apart from various official work, document creation and printing etc. can be done. The extension of this file is .doc.

**S9.Ans.(c)**

**Sol.** The train had left before I **reached** the station.

In the sentence, 'The train had left' is the event which has occurred earlier, so it would take past perfect tense and 'reached the station' would take the past indefinite tense.

**S10.Ans.(b)**

**Sol.** The correct prefix to the word "Grateful" is un. Ungrateful means 'not feeling or showing gratitude'.

**S11.Ans.(d)**

**Sol.** The Indian Air Force is a branch of the Indian military. The main motto of this force is "Touching the Sky with Glory". The primary function of this force is to secure India's airspace and conduct airspace warfare.

**S12.Ans.(b)**

**Sol.**

$$\frac{1}{5} \text{ of } 30 = 6$$

$$\frac{2}{5} \text{ of } 200 = 80$$

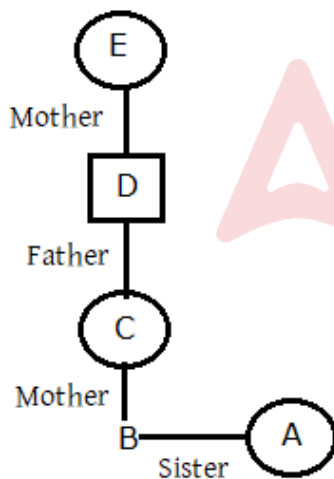
$$50\% \text{ of } 50 = 25$$

$$0.2 \text{ portion of } 20 = 4$$

$$\text{The largest number is } = \frac{2}{5} \text{ of } 200 = 80$$

**S13.Ans.(c)**

**Sol.**



Then A is the granddaughter of D.

**S14.Ans.(b)**

**Sol.** The correctly spelt word is **Aggressive**. Aggressive means 'ready or likely to attack or confront; characterized by or resulting from aggression.'

**S15.Ans.(c)**

**Sol.** The correct answer is 'Trouble with someone'.

**S16.Ans.(c)**

**Sol.** The lower house of the Indian Parliament is called the Lok Sabha. The Lok Sabha is made up of elected representatives of the people. So the other name of this meeting is the public representative meeting. The Lok Sabha is presided over by the Speaker.

**S17.Ans.(c)**

**Sol.** The HCF of 1365, 1560 and 1755 is 195.

**S18.Ans.(a)**

**Sol.** The maximum 'zoom percentage' of Microsoft Power Point is 400%.

**S19.Ans.(b)**

**Sol.** When the Principal entered the class, a student was writing on the blackboard.

**S20.Ans.(a)**

**Sol.** Columbus had discovered America.

**S21.Ans.(a)**

**Sol.** The two planets that are closer to the Sun than Earth are Mercury and Venus. Apart from these two planets, there are two other planets which are located near the Sun and they are Earth and Mars. These four planets together are called the terrestrial planets.

**S22.Ans.(d)**

**Sol.** Let Principal = Rs. p

Rate of interest = r%

Time = t years

Amount = Rs. 3p

Interest = 3p - p = Rs. 2p

ATQ,

$$2p = \frac{p \times 5 \times r}{100}$$

$$\rightarrow r = \frac{2p \times 100}{5p}$$

$$\rightarrow r = 40\%$$

**S23.Ans.(c)**

**Sol.** The first computer language was - COBOL. The creator of this COBOL is Grace Murry Hopper.

**S24.Ans.(a)**

**Sol.** The salt spray has gradually corroded the bridge.

**S25.Ans.(d)**

**Sol.** The correctly spelt word is **Guarantee**. Guarantee means "a formal assurance (typically in writing) that certain conditions will be fulfilled, especially that a product will be repaired or replaced if not of a specified quality."



**S26.Ans.(c)**

**Sol.** According to the Gregorian calendar, Every years that are divisible by 4 are called leap years. Again in case of century years divisible by 400, those century years are called leap years. So the year 2004 is divisible by 4 from the options. So it is a leap year.

**S27.Ans.(b)**

**Sol.**  $0.4\%$  of 36 =  $36 \times \frac{0.4}{100} = 0.144$

**S28.Ans.(d)**

**Sol.** Moon is a satellite and Earth is a planet. So, the planet will sit in X's place.

**S29.Ans.(a)**

**Sol.** The correct prefix to the word "Danger" is en. Endenger means 'put (someone or something) at risk or in danger'.

**S30.Ans.(a)**

**Sol.** We hope that papa will come soon.

**S31.Ans.(a)**

**Sol.** Karnataka is a state in South West India. Tungabhadra Sanctuary is located in this state.

**S32.Ans.(d)**

**Sol.** Let number be x

ATQ,

$$x = (25 \times \frac{1}{3}) + 6$$

$$\rightarrow x = 8.33 + 6$$

$$\rightarrow x = 14.33$$

**S33.Ans.(d)**

**Sol.** James A. Gosling OC is one of the founders of the Java programming language. He is a famous Canadian computer scientist.

**S34.Ans.(a)**

**Sol.** The coreect answer is "To face the risk".

**S35.Ans.(c)**

**Sol.** The correct prefix to the word "Monthly" is bi. Bimonthly means 'twice a month or every two months'.

**S36.Ans.(d)**

**Sol.** The applied branch of zoology in which all matters related to insects are discussed or studied scientifically is called entomology. This is a taxon-based division.

**S37.Ans.(c)**

**Sol.**  $259 - 7 = 252$

$847 - 7 = 840$

HCF of 252 and 840 = 84

So dividing 259 and 847 by 84 leaves a remainder of 7 in each case.

**S38.Ans.(b)**

**Sol.**

M → N

B → C

A → B

O → P

D → E

Each letter is increased by one.

M → N

Then similarly,

R → S

B → C

A → B

A → B

S → T

Y → Z

**S39.Ans.(b)**

**Sol.** The correct answer is 'A complete surprise'.

**S40.Ans.(b)**

**Sol.** Because of the bitter experience of the past, he smells a rat everywhere.

**S41.Ans.(d)**

**Sol.** Dr. Vikram Sarabhai is the father of Indian space research.

**S42.Ans.(c)**

**Sol.** The correct time is when a clock in a mirror shows 3 : 15

11 : 60

- 3 : 15

~~8 : 45~~

**S43.Ans.(b)**

**Sol.**

6 : 18 :: 4 : ?

$$\frac{6}{18} = \frac{4}{x}$$

$$\rightarrow x = \frac{4 \times 18}{6}$$

$$\rightarrow x = 12$$

**S44.Ans.(d)**

**Sol.** The correct prefix to the word "Advantage" is dis. Disadvantage means 'an unfavourable circumstance or condition that reduces the chances of success or effectiveness.'

**S45.Ans.(b)**

**Sol.** I can not pretend to know much about it.

**S46.Ans.(d)**

**Sol.** The temperature of the Sun's surface is 6000 degrees Celsius.

**S47.Ans.(b)**

**Sol.** Red ball = 5

White ball = 3

Yeallow ball = 2

Total ball= 5 + 3 + 2 = 10

percentage of yeallow ball =  $\frac{2}{10} \times 100 = 20\%$

**S48.Ans.(a)**

**Sol.** Every year 2nd December is observed as Computer Literacy Day. Through this day awareness is raised among all about the growing use and importance of computers.

**S49.Ans.(b)**

**Sol.** The correct prefix to the word "Human" is in. Inhuman means 'lacking human qualities of compassion and mercy; cruel and barbaric.'

**S50.Ans.(c)**

**Sol.** The correct answer is "Raining heavily".

**S51.Ans.(b)**

**Sol.** A device that measures heat is called a calorimeter. Scientist Reno created an improved calorimeter, hence the device was named Reno calorimeter after him.

**S52.Ans.(c)**

**Sol.** A : B = 3 : 5

Age of A =  $8 \times \frac{3}{5-3} = 8 \times \frac{3}{2} = 12$  years

**S53.Ans.(a)**

**Sol.** V = 5

VIII = 8

XI = 11

XIV = 14

XVII = 17

XX = 20

Each number increases by 3.

**S54.Ans.(a)**

**Sol.** My father keeps all his confidential papers under lock & key.

**S55.Ans.(d)**

**Sol.** The shepherd was looking after the flock of sheep.

**S56.Ans.(b)**

**Sol.** Osmium is the heaviest metal. It is a chemical element. Its symbol is Os and atomic number is 76.

**S57.Ans.(c)**

**Sol.**  $\frac{18}{6} \times 100 = 300\%$

**S58.Ans.(c)**

**Sol.** The period of "First Generation Computer" is 1940 to 1950. The electronic components used in this generation are vacuum tubes.

**S59.Ans.(d)**

**Sol.** The correct answer is "Member of aristocratic or Nobel family".

**S60.Ans.(d)**

**Sol.** Durga Banerjee was the first Indian woman pilot. She was the first woman in the Indian Air Force who later became India's first female commercial pilot.

**S61.Ans.(a)**

**Sol.**  $\sqrt[3]{216} = \sqrt[3]{2 \times 2 \times 2 \times 3 \times 3 \times 3} = 2 \times 3 = 6$

**S62.Ans.(c)**

**Sol.** ARPANET is the forerunner of Internet services. ARPANET stands for Advanced Research Projects Agency Network.

**S63.Ans.(d)**

**Sol.** He saw me by chance and stopped the car.

**S64.Ans.(c)**

**Sol.** The correct spelt word is Analytical. Analytical means 'relating to or using analysis or logical reasoning.'

**S65.Ans.(b)**

**Sol.** The 'Chandrayaan 2' spacecraft was launched from the Satish Dhawan Space Centre.

**S66.Ans.(a)**

**Sol.**  $2 \div 1 = 2$

$$1 \div 2 = \frac{1}{2}$$

$$\frac{1}{2} \div 2 = \frac{1}{4}$$

$$\frac{1}{4} \div 2 = \frac{1}{8}$$

**S67.Ans.(c)**

**Sol.** The full form of "SQL" is Structured Query Language. SQL helps you access and manipulate databases. SQL became a standard of the American National Standards Institute (ANSI) in 1986 and the International Organization for Standardization (ISO) in 1987.

**S68.Ans.(c)**

**Sol.** Zakir Hussain died while serving as the first President of India. He is the 3rd President of India and the first Muslim President.

**S69.Ans.(a)**

**Sol.**  $120 \div (6 + 12 \times 2)$   
 $= 120 \div (6 + 24)$   
 $= 120 \div 30$   
 $= 4$

**S70.Ans.(b)**

**Sol.** The world's first microprocessor is the Intel 4004. It was released in 1971 by Intel Corporation.

**S71.Ans.(c)**

**Sol.** The famous cricket stadium "Eden Garden" is located in India. It is one of the oldest stadiums in India. It was built in 1864.

**S72.Ans.(a)**

**Sol.**  $3.5 \times (60 \div 2.5)$   
 $= 3.5 \times 24$   
 $= 84$

**S73.Ans.(d)**

**Sol.** The source of the Krishna River is the Western Ghats. Another name of this range is Sahyadri range. It is a mountain range extending towards the west of India.

**S74.Ans.(a)**

**Sol.** The answer is potato because it is cultivated underground.

**S75.Ans.(c)**

**Sol.** "The 'Leaning Tower of Pisa' is located in Italy.

**S76.Ans.(b)**

**Sol.** If after adding each digit of a number the sum is divisible by 9, then the number is also divisible by 9. From alternatives:  
 $4 + 5 + 6 + 9 + 1 + 3 + 8 = 27$   
The sum 27 is divisible by 9. So, the number 456138 is divisible by 9.

**S77.Ans.(d)**

**Sol.** The first bank in India to introduce ATM service was HSBC Bank. This bank is headquartered in London, United Kingdom.

**S78.Ans.(c)**

**Sol.** Required Selling Price =  $450 \times \frac{90}{100} = \text{Rs. } 405$

**S79.Ans.(c)**

**Sol.** The city of Madurai is known as the city of festivals. This city is a metropolis in the Indian state of Tamil Nadu. The city of Madurai is known as the cultural capital of the state of Tamil Nadu.

**S80.Ans.(d)**

**Sol.** Letters of the alphabet are decreased by 1 and numbers are multiplied by 2.

F2

E4

D8

C16

B32

**S81.Ans.(c)**

**Sol.** Among the options, the pair Isohyet – Humidity is incorrect. With the help of this line, it is easy to know how much rain is falling in different countries of the world. This is an imaginary line.

**S82.Ans.(d)**

**Sol.**

$$\begin{aligned} & \frac{x^{-5}}{x^{-3}} \times \frac{x^5}{x^3} \\ & = x^{-5+5-(-3)-3} \\ & = x^0 \\ & = 1 \end{aligned}$$

**S83.Ans.(c)**

**Sol.** A body of water separated from the main sea by expanding partially or completely through narrow canals is called a lagoon. Chilka lake on the coast of Odisha is an example of a notable lagoon.

**S84.Ans.(a)**

**Sol.**  $0.123 \div 10^3 = 0.123 \div 10000 = 0.000123$

**S85.Ans.(d)**

**Sol.** Vatican City is the least populated country in the world. It is located in Rome, the capital city of Italy. It is an independent state.

**S86.Ans.(d)**

**Sol.** Diagonal of square field = 30 m.

Length of the square field =  $\frac{30}{\sqrt{2}}$  m.

Area of square field =  $\left(\frac{30}{\sqrt{2}}\right)^2 = 450 \text{ m}^2$

**S87.Ans.(a)**

**Sol.** Teachers' Day is observed on 5th September to commemorate the birth of Dr. Sarvapalli Radhakrishnan. He was an ideal teacher. He was the first Vice President and second President of independent India.

**S88.Ans.(d)**

**Sol.** Let number be  $x$

ATQ,

$$x \times \frac{1}{5} = 10 \times 5$$

$$\rightarrow x = 10 \times 5 \times 5 = 250$$

**S89.Ans.(c)**

**Sol.** Kalidasa is known as "Shakespeare of India". He was a prominent poet and dramatist of classical Sanskrit language. He is an ancient Indian poet.

**S90.Ans.(d)**

**Sol.** Amit's present age = 17 years

Rakesh's present age =  $17 - 5 = 12$  years

Anil's present age =  $12 + 3 = 15$  years

